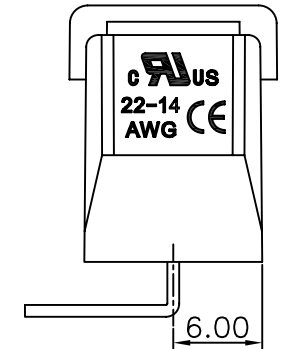
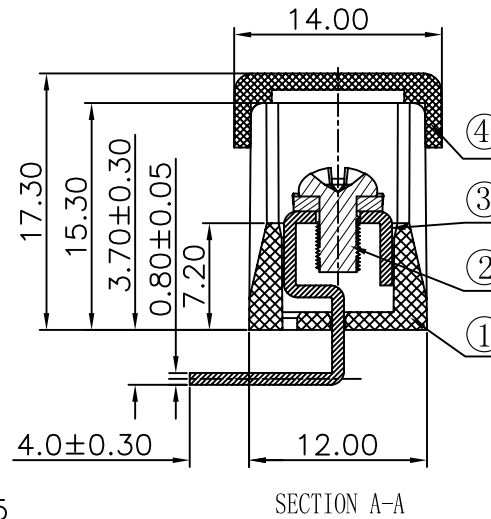
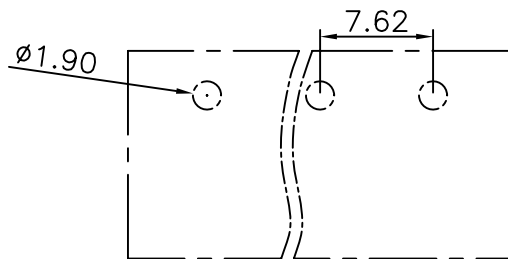
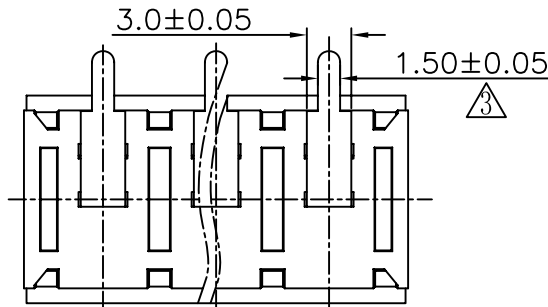
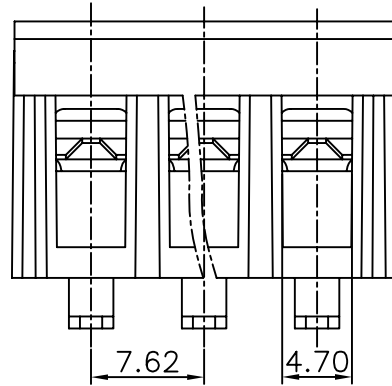
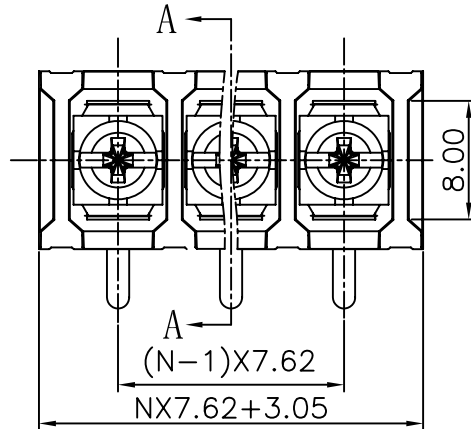
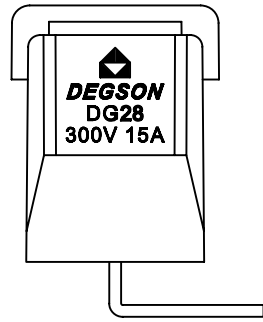


| REVISION RECORD |     |                 |       |          |  |
|-----------------|-----|-----------------|-------|----------|--|
| REV             | ECO | DESCRIPTION     | DRFT  | DATE     |  |
| 1               |     | 增加UL刻字          | CSX   | 03/21/07 |  |
| 2               |     | 品名、料号增加环保标识“00” | YeJ   | 12/08/07 |  |
| 3               |     | 修改焊脚尺寸          | Zengy | 04/27/09 |  |

Notes:

- Pitch:7.62mm , Poles:2-26P
- Rated voltage/current:UL 300V/15A  
IEC 250V/24A
- Operation temperatures:-40℃~+105℃
- Withstanding Voltage:AC2000V/1min
- Insulation Resistance:500MΩ/DC500V
- Wire Range:22~14AWG, X2.5mm<sup>2</sup>
- Max. Torque Value:M3, 5.10kgf.cm
- Undimensioned Tolerances:

| Pitch range in mm |              |               | Nominal dimension range in mm |               |                |                 |          |  |
|-------------------|--------------|---------------|-------------------------------|---------------|----------------|-----------------|----------|--|
| to 6              | over 6 to 10 | over 10 to 24 | to 30                         | over 30 to 60 | over 60 to 100 | over 100 to 150 | over 150 |  |
| ±0.10             | ±0.15        | ±0.25         | ±0.2                          | ±0.3          | ±0.5           | ±0.7            | ±1.0     |  |
|                   |              |               |                               |               |                |                 | 0.05/10  |  |



| ITEM | NAME OF PART             | NO. OF PART    | Q'TY | MATERIAL   | NOTES       |
|------|--------------------------|----------------|------|------------|-------------|
| 4    | DG28-Cover               | 5006C07XXA (H) | 1    | PC         |             |
| 3    | DG28R Pin header         | 5006B00070 (H) | XX   | Brass      | SnCe plated |
| 2    | M3*6 (6*6) bright Screws | S000000450 (H) | XX   | Steel      | Ni plated   |
| 1    | DG28-B-本体                | 5006A0YXXA (H) | 1    | PA66+23%GF | UL94V-0     |

|                |                            |             |               |                                           |         |          |
|----------------|----------------------------|-------------|---------------|-------------------------------------------|---------|----------|
| DETACHED LISTS | MM (INCH)                  | DFTO Zhuwm  | DATE 03/13/06 | 宁波高正电子有限公司<br>DEGSON ELECTRONICS CO., LTD |         |          |
|                | TOLERANCES EXCEPT AS NOTED | CHKD        | DATE          |                                           |         |          |
|                |                            | MFO         | DATE          |                                           |         |          |
|                |                            | APPVL       | DATE          |                                           |         |          |
|                | MM                         | ±           |               | NAME<br>DG28R-B-XXP-1Y-00A (H)            |         |          |
|                | .00 ±                      | ±           |               |                                           |         |          |
|                | .000 ±                     | ±           |               |                                           |         |          |
|                | ANGLES ± 1°                | G.E :       |               | DRAWING NO. DG28R-E02                     | SIZE A3 | REV T3   |
|                | THIRD ANGLE PROJECTION     | FINISH :    |               | /PART NO.                                 |         | 04/27/09 |
|                |                            | SCALE : 1:1 |               | DO NOT SCALE DRAWING                      | SHEET 1 | OF 1     |