

SPECIFICATIONS SHEET

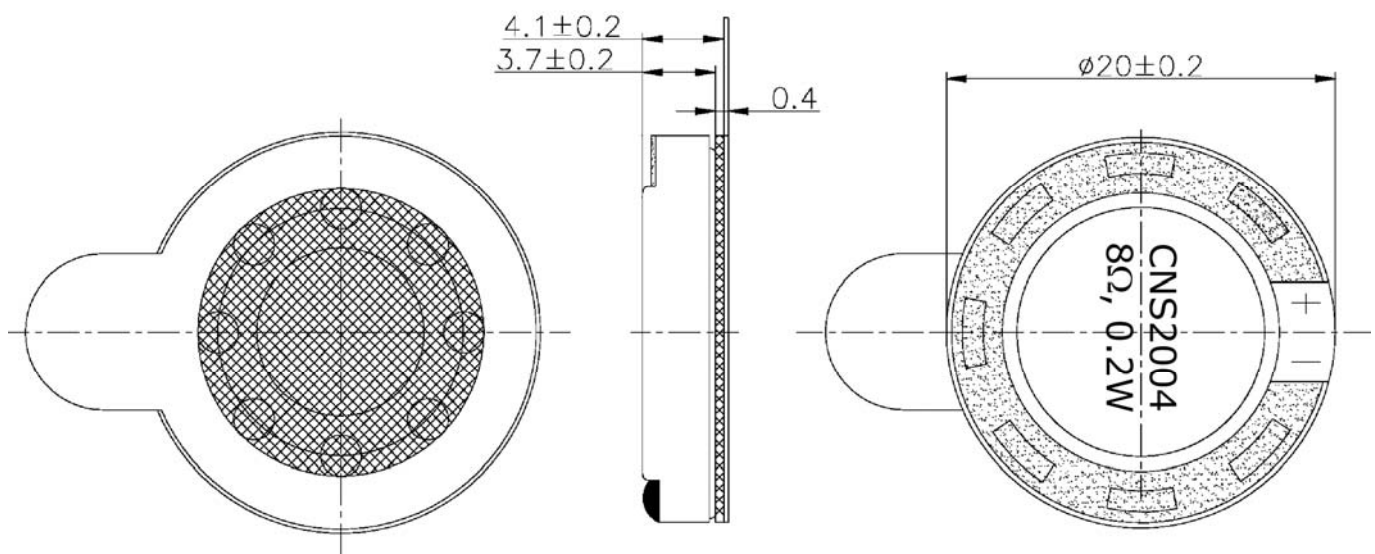
Product Type: Mylar Speaker

Part No. : CMY2004A100BZ

Electrical Specification:

Resonance Frequency	Hz	1000 ± 20 %
Response Frequency	Hz	$f_0 \sim 10000$
Impedance (at 1KHz / 1 V)	Ω	8 ± 15 %
Sound output (0.1W / 0.1 m) (800, 1000, 1200, 1500 Hz in Average)	dB	90 ± 3
Rated Power	W	0.2
Max Power	W	0.3
Distortion (0.2W, 1kHz)		5 % Max.
Buzzer & Rattles (Not audible)		1.26V Sine Wave
Operating Temperature	° C	-30 ~ +70
Storage Temperature	° C	-40 ~ +85

Mechanical Schematics:



all dimensions are in mm

Copyright by Canopus Electronics (H.K.) Ltd. All rights reserved.

Address: Flat F, F/11, Phase 2, Kwun Tong Industrial Centre, 460-470 Kwun Tong Rd. Hong Kong

TEL. No.: (852) 2806 2812

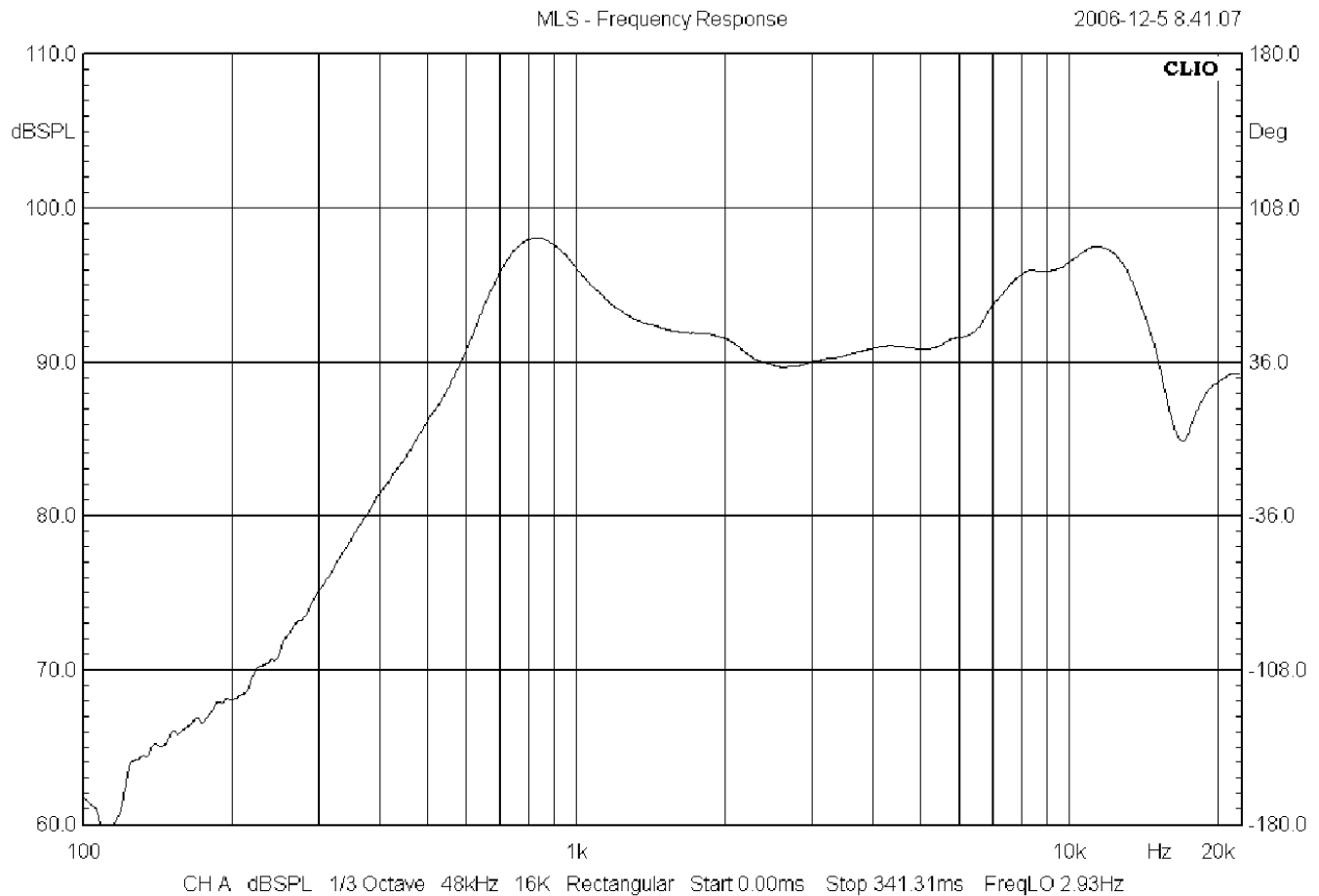
FAX No.: (852) 2562 2216

E-mail: sales@canopus.com.hk

<http://www.canopus.com.hk>

Revision: 00

Response Curve:



Copyright by Canopus Electronics (H.K.) Ltd. All rights reserved.

Address: Flat F, F/11, Phase 2, Kwun Tong Industrial Centre, 460-470 Kwun Tong Rd. Hong Kong

TEL. No.: (852) 2806 2812

FAX No.: (852) 2562 2216

E-mail: sales@canopus.com.hk

<http://www.canopus.com.hk>