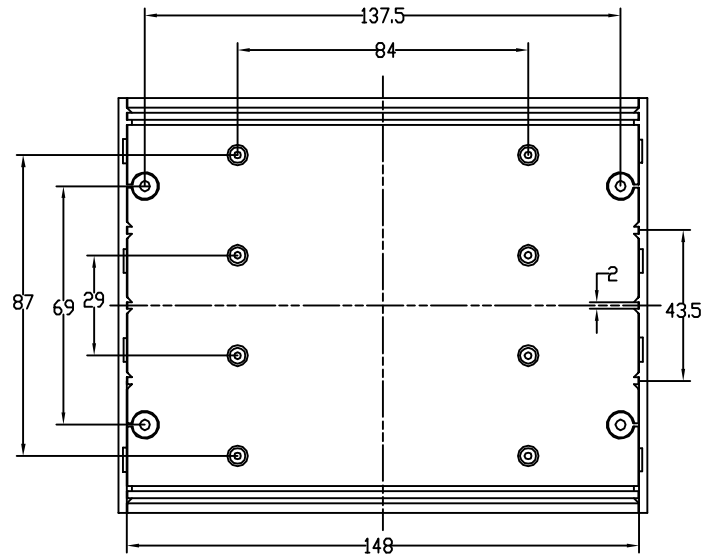
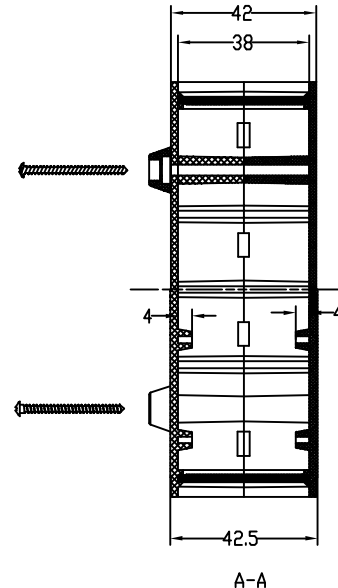
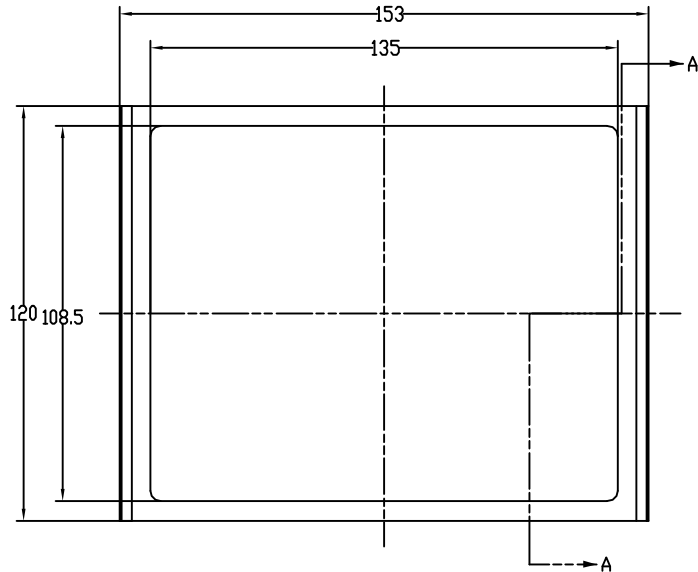


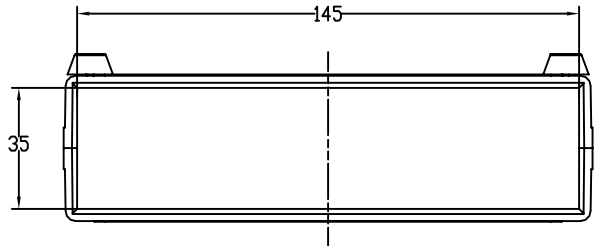
1 2 3 4 5 6

A



B

C



D

Drawing	Auditing	Confirm	Custom Name		Material	
			Product Name		Drawing Scale	A3
			Product Code	15-2	Project View	(mm)

1 2 3 4 5 6