

SPECIFICATION SHEET

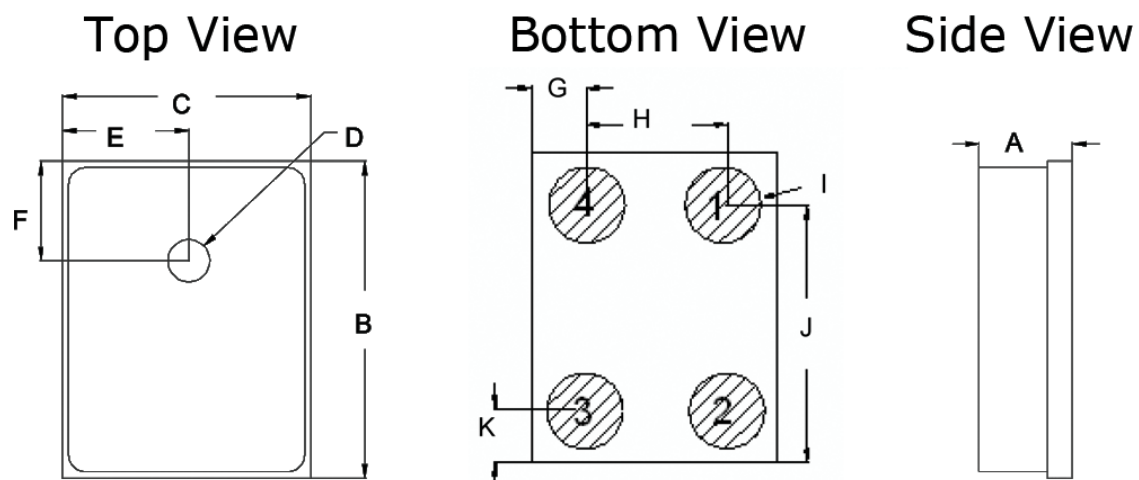
Product Type: Omni-Directional Microphone

Part No. : CSM3729

Electrical Specifications:

Operating Voltage	V	1.5 ~ 3.6
Rated Voltage	V	2.1
Current Consumption	uA	200
Output Impedance (1kHz)	Ω	100
Frequency Range	H ζ	100 ~ 7000
Sensitivity (1KHz, S.P.L=1Pa, 0dB=1V/Pa)	dB	-42 \pm 3
Filtering Capacitor	pF	10 & 33
Operating Temperature	$^{\circ}$ C	-40 ~ 100
Storage Temperature	$^{\circ}$ C	-40 ~ 125
Signal to Noise Ratio (S/N) S: (f=1KHz, S.P.L=1Pa) N: (A-Weighted curve)	dB	Max. 57
Maximum input S.P.L (f=1KHz, THD < 1%)	dB	Max. 110

Mechanical Schematics:



all dimensions are in mm

Tolerance: \pm 0.3 mm

Copyright by Canopus Electronics (H.K.) Ltd. All rights reserved.

Address: Flat F, F/11, Phase 2, Kwun Tong Industrial Centre, 460-470 Kwun Tong Rd. Hong Kong

TEL. No.: (852) 2806 2812

FAX No.: (852) 2562 2216

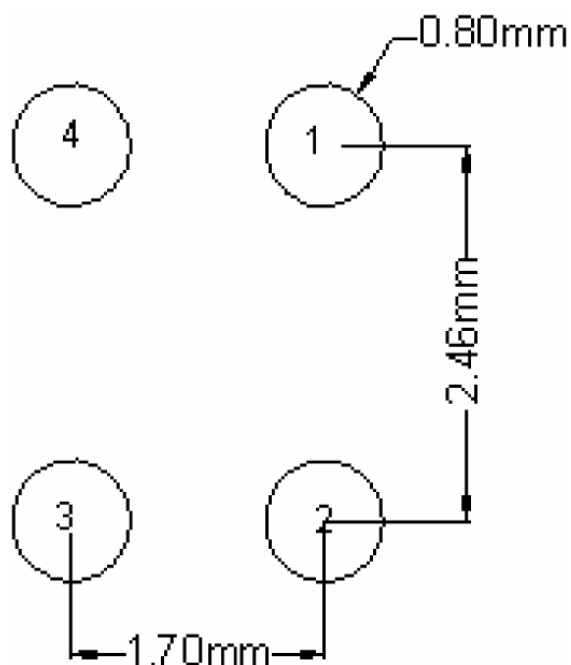
E-mail: sales@canopus.com.hk

<http://www.canopus.com.hk>

Revision: 00

Item	Symbols	Dimension (mm)		
		Minimum	Nominal	Maximum
Height	A	1.00	1.10	1.20
Length	B	3.66	3.76	3.86
Width	C	2.85	2.95	3.05
Acoustic Port Hole Diameter	D	0.40	0.50	0.60
Short Edge to Centre of Acoustic Port	E	1.40	1.50	1.60
Long Edge to Centre of Acoustic Port	F	1.08	1.18	1.28
Short Edge to Pad 3 centre	G	0.55	0.65	0.75
Short Edge to Centre to centre of Pad 2,3	H	1.60	1.70	1.80
Terminal Pad 1,2,3,4 Diameter	I	0.70	0.80	0.90
Long Edge to Pad 2 centre	J	3.01	3.11	3.21
Long Edge to Pad 4 centre	K	0.55	0.65	0.75

PCB Solder Pad Layout:



Copyright by Canopus Electronics (H.K.) Ltd. All rights reserved.

Address: Flat F, F/11, Phase 2, Kwun Tong Industrial Centre, 460-470 Kwun Tong Rd. Hong Kong

TEL. No.: (852) 2806 2812

FAX No.: (852) 2562 2216

E-mail: sales@canopus.com.hk

<http://www.canopus.com.hk>

Revision: 00