

## FYL-3012PD1A

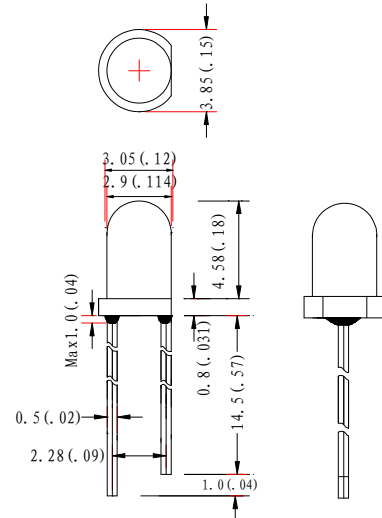
### Features:

- Photo Diode
- Low power consumption
- High reliability and long life
- General purpose leads
- RoHs compliant.

### Descriptions:

- Device Outline:  $\Phi 3\text{mm}$  round Type
- Lens Type: Deep black

### Package configuration



- ◆ All dimensions are millimeters (inches)
- ◆ Tolerance is  $\pm 0.25\text{mm}$  (.010") unless otherwise noted.

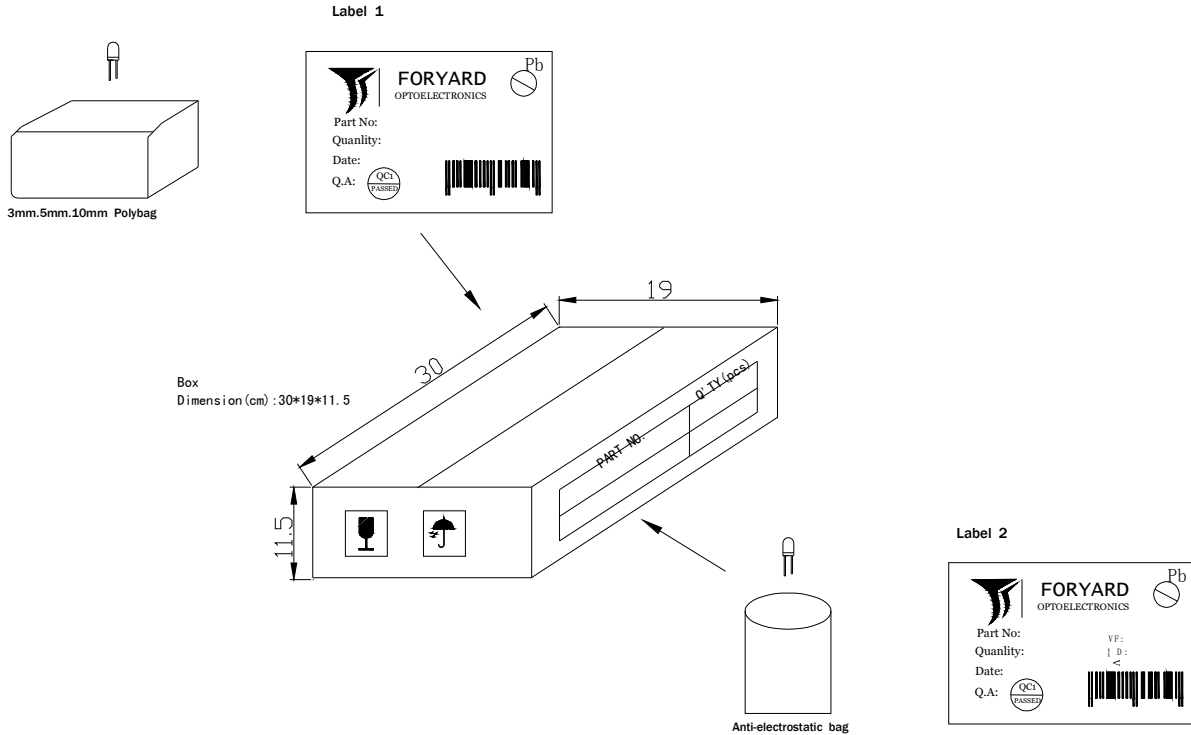
### Absolute maximum ratings ( $T_a = 25^\circ\text{C}$ )

Parameter	Symbol	Min.	Typ.	Max.	Unit	Test Condition
Reverse Breakdown	$V_{BR}$	33	170	-	V	$I_R = 100\mu\text{A}, H = 0\text{mw}/\text{cm}^2$
Operating Temperature	$T_{opr}$	-30	-	+85	$^\circ\text{C}$	—
Storage Temperature	$T_{str}$	-40	-	+100	$^\circ\text{C}$	—

### Electrical and optical characteristics ( $T_a = 25^\circ\text{C}$ )

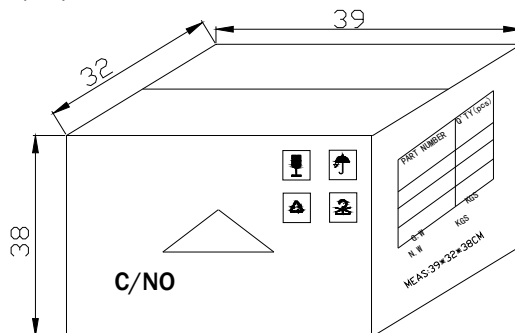
Parameter	Symbol	Min.	Typ.	Max.	Unit	Test Condition
Open Circuit Voltage	$V_{OC}$	-	410	-	mv	$H = 5\text{mw}/\text{cm}^2, \lambda_p = 940\text{nm}$
Short Circuit	$I_{SC}$	60	75	-	$\mu\text{A}$	$H = 5\text{mw}/\text{cm}^2, \lambda_p = 940\text{nm}$
Reverse Light Current	$I_L$	60	80	-	$\mu\text{A}$	$H = 5\text{mw}/\text{cm}^2, V_R = 5\text{V}$
Reverse Dark Current	$I_D$		5	10	nA	$H = 0\text{mw}/\text{cm}^2, V_R = 10\text{V}$
Total Capacitance	$C_T$		6		PF	$V_R = 3\text{V}, f = 1\text{MHZ}, H = 0\text{mw}/\text{cm}^2$
Turn On Time	$T_{on}$	-	10	-	ns	$R_L = 1\text{K}\Omega, V_R = 10\text{V}$
Turn Off Time	$T_{off}$	-	10	-	ns	$R_L = 1\text{K}\Omega, V_R = 10\text{V}$

## LAMP PACKING.



DEVICE	QTY/polybag(pcs)	Polybag/box A	Fig
5mm(T-1 3/4)	1000	8 bags	Label 1
3mm(T-1 )	1000	10 bags	Label 1
10mm(T-1)	250	8 bags	Label 1
Blue/Green/White	500pcs	8 bags	Label 2

**CARTON**  
Dimension(cm):39\*32\*38



6 Boxes/Carton  
5mm:48,000pcs  
3mm:60,000pcs  
10mm:12,000pcs  
Blue/Pure Green/bluish Green  
/White:24,000pcs