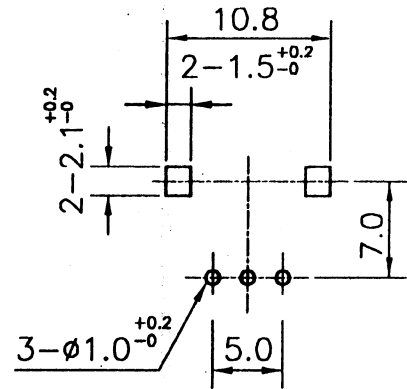
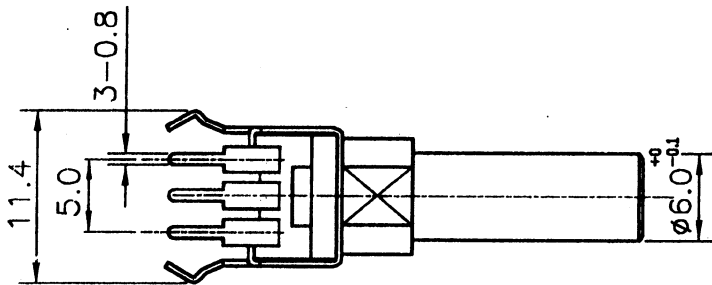
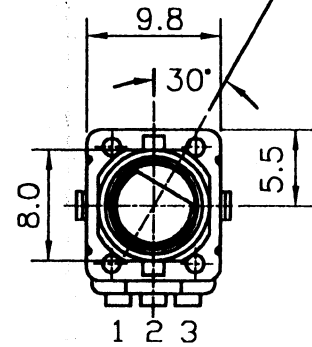
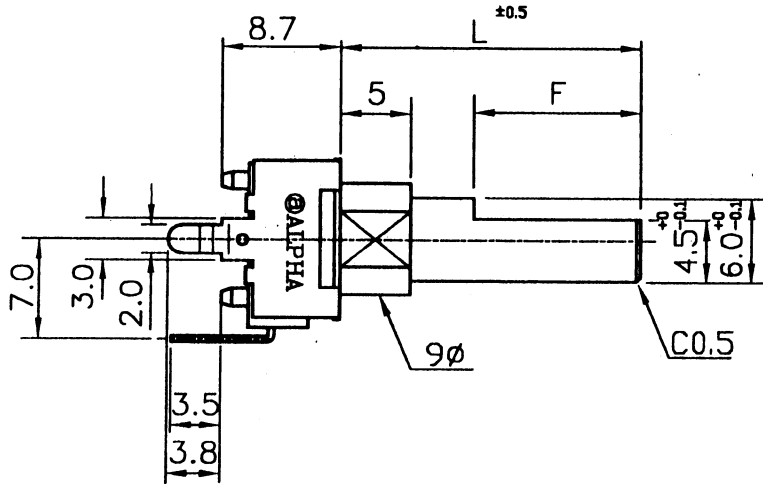


THIRD ANGLE PROJECTION

文管中心
2010.06.04
發行章

SHAFT SHOWN IN FULL C.C.W. POSITION

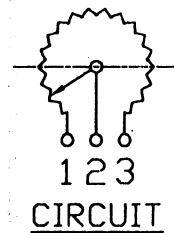


P.C.B. MOUNTING HOLE DETAIL

| | L | F |
|---|------|------|
| | 16.5 | 11.5 |
| | 17.5 | 12 |
| ✓ | 21.5 | 12 |
| | 22.5 | 12 |
| | 26.5 | 12 |

收文日
2010.09.09
石碇區工業區文管中心
發行章

● 300° ROTATION
MONO UNIT



| | | | | -AC8 | | | |
|------------------------------|--------|-------------|----------|--------------------------|------------|---------------------|-------------|
| | | | | RV09BF-40E1N-(L)F-XXX-AC | | | |
| No. | DATE | DESCRIPTION | PART No. | NAME | | | |
| TOL. UNLESS OTHERWISE STATED | | DIMENSION | SCALE | DRAWN BY | CHECKED BY | APPROVED BY | DRAWING No. |
| less than | 10 | ±0.3 | 2:1 | 胡 2010.5.31 向輝 | | 劉 2010.8.1 全紅 | |
| above | 10~30 | ±0.5 | | | | | |
| above | 30~100 | ±1.0 | | | | | |
| above | | ±5' | | | | | |