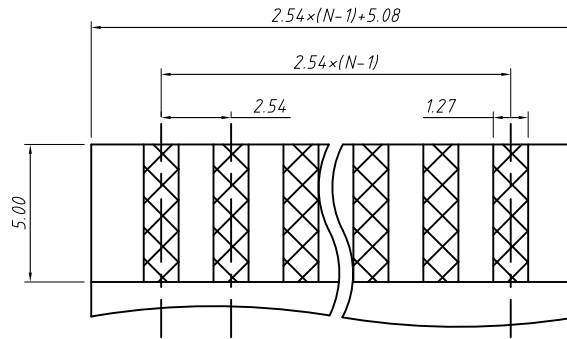
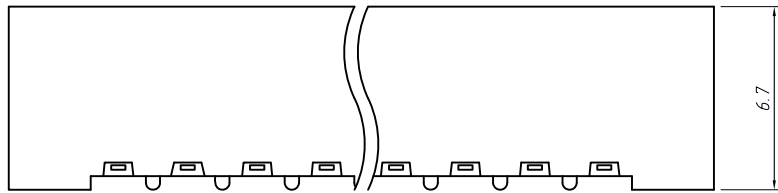


RoHS Compliant

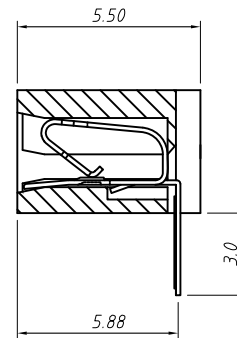
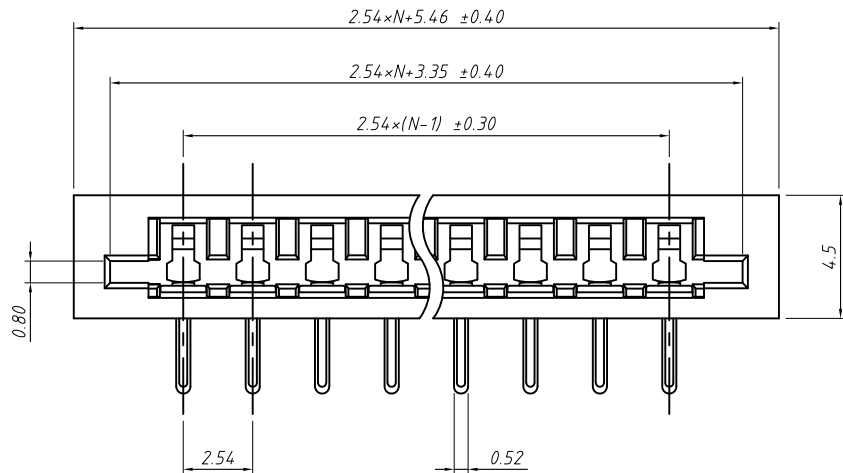


Material
 Insulator: Glass-Reinforced Thermoplastic
 Contact: Copper Alloy,
 Tin/Lead Plated Over Nickel

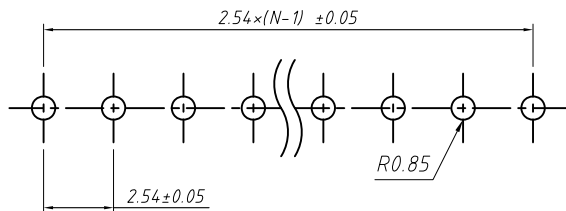
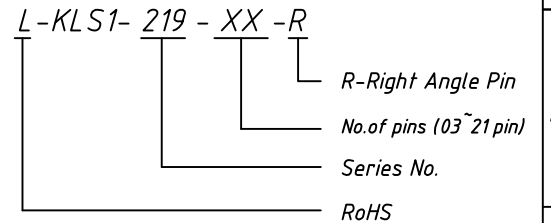
Electrical
 Voltage rating: 250 V
 Current rating: 1 A
 Withstanding Voltage: 1000 V
 Insulation resistance: 5000M Ω .Min.
 Contact resistance: 25 m Ω .max.

Mechanical
 Temp. Range: $-40^{\circ}C \sim +105^{\circ}C$

Proper Cable



Order Information



PCB Layout

GENERAL TOLERANCE	ANGLE TOLERANCE	PROJECTION		Description:
X. ± 0.15	X. $\pm 5^{\circ}$	UNITS	mm	CONN FFC 2.54mm THR 90° L-KLS1-219-XX-R
.X ± 0.03	.X $\pm 3^{\circ}$	SHEET SIZE	A4	
.XX ± 0.05	.XX $\pm 2^{\circ}$		KLS P/N:	

Draw by: Date 2018-03-10

Check by: Date 2018-03-10

SCALE SHEET OF



NingBo KLS ELECTRONIC CO.,L TD.