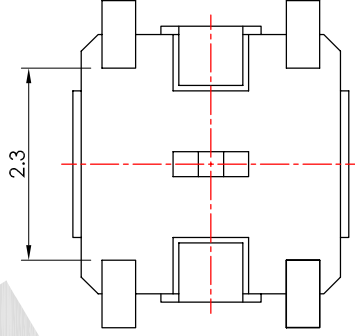
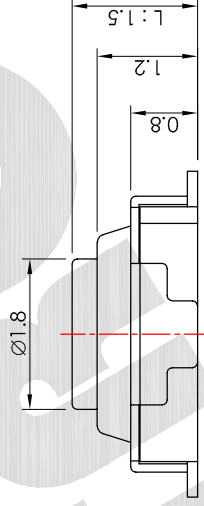
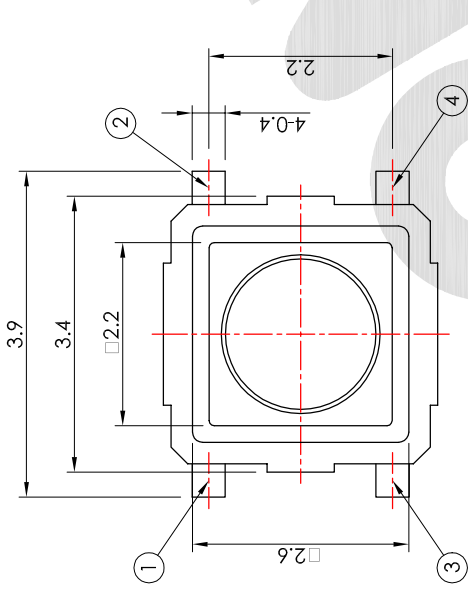
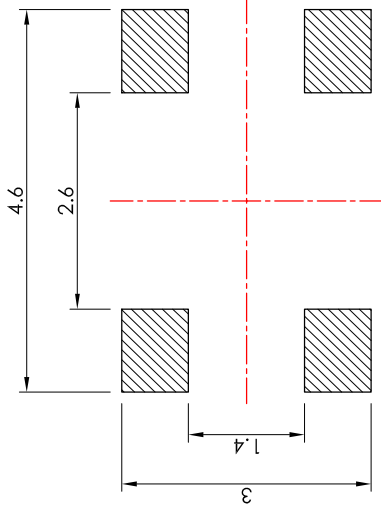


版本：V2.2

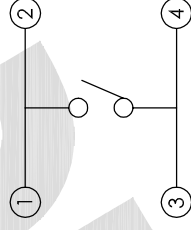
本圖面若與目錄之規格尺寸不符，以本圖面規格尺寸為主。
Below is our main specification if different from catalog.

RoHS compliant

SMD REFLOW PATTERN



CIRCUIT DIAGRAM



RoHS compliant

IT-1184X-XXXG-G

MODEL NO.	L	OPERATING FORCE
<input type="checkbox"/>	1.5	160, 250
A	2	

SPECIFICATION

Rating: 50mA 12V DC Max.
Circuit: SPST.
Travel: 0.2±0.1mm.
Contact resistance: 100mΩ Max. (initial)
Operating force: 160±50g.
Operating life: 100,000 Cycles Min.
Minimum load: 10mA 3.3V DC. (reference only)
Soldering temperature: 250°C Max for 3 Sec.
Soldering time: 1 time only.
Note: Not washable, don't immerse into epoxy and organic solvent.



CV3.1	△		
CV3.0	無	新繪製	2010.01.18
版本	符號	修改內容	更新日期
VER.	SYMBOL	ALTERATION	DATE

產品 製圖 DRAWN BY Jaru Chiu	Tact Switch	核圖 CHECKED BY Alex Jim	主營 APPROVED BY Margaret Joe	型號 MODEL NO.	IT-1184-160G-G
				單位 UNIT	mm
				比例 SCALE	11 : 1
				公差 TOLERANCE	.X=±0.3mm, .XX=±0.2mm

SWITRONIC
INDUSTRIAL CORP.
Switches



一綺電子企業股份有限公司
總公司：110 台北市信義路四段415號13樓之3
13F-3 NO. 415, SEC. 4, HSN YI ROAD, TAIPEI, TAIWAN
TEL: 886-2-27290229 (Rep.) FAX: 886-2-27582086
URL: http://www.switronic.com.tw
E-MAIL: switches@ms36.hinet.net