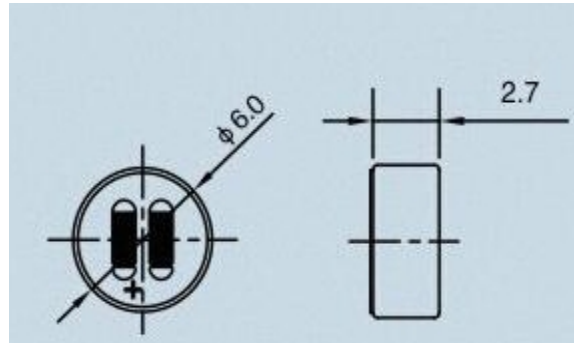
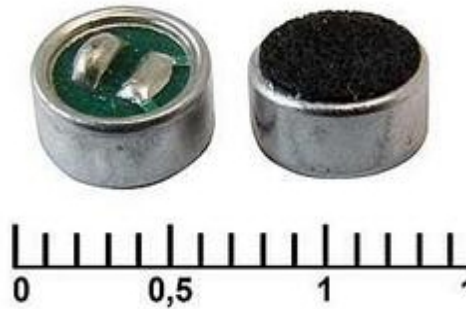


RCN-3B



1	Sensitivity Range	$-30 \pm 2 \text{dBRL} = 2.2 \text{K}\Omega \text{Vs} = 2.0 \text{V} (1 \text{KHz } 0 \text{dB} = 1 \text{V/Pa})$
2	Impedance	Max. $2.2 \text{K}\Omega$ 1KHz ( $\text{RL} = 2.2 \text{K}\Omega$ )
3	Frequency	20-16000 Hz
4	Current Consumption	Max. 0.5mA
5	Operation Voltage Range	1.0V-10V
6	Max. Sound Pressure Level	115dB S.P.L
7	S/N Ratio	More than 74dB
8	Sensitivity Reduction	3.0V-1.5V Sensitivity Variation less than 3dB
9	Environmental Protection Regulation	HF



