

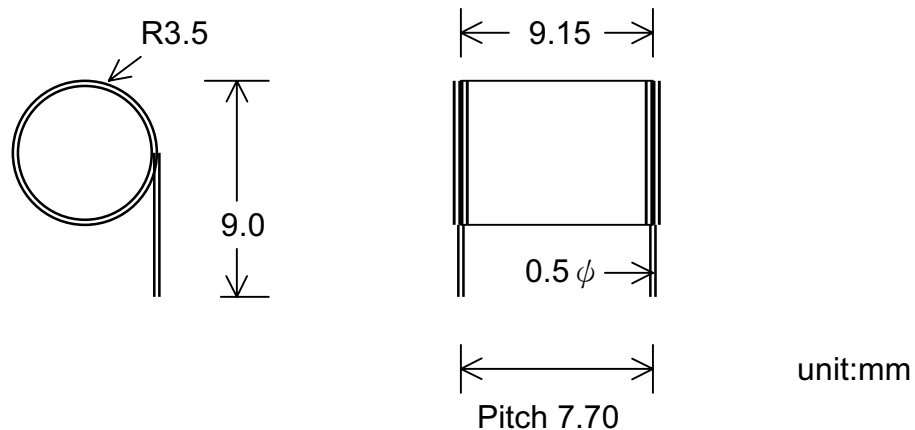
Shock sensor 801S specification

(Patent's)

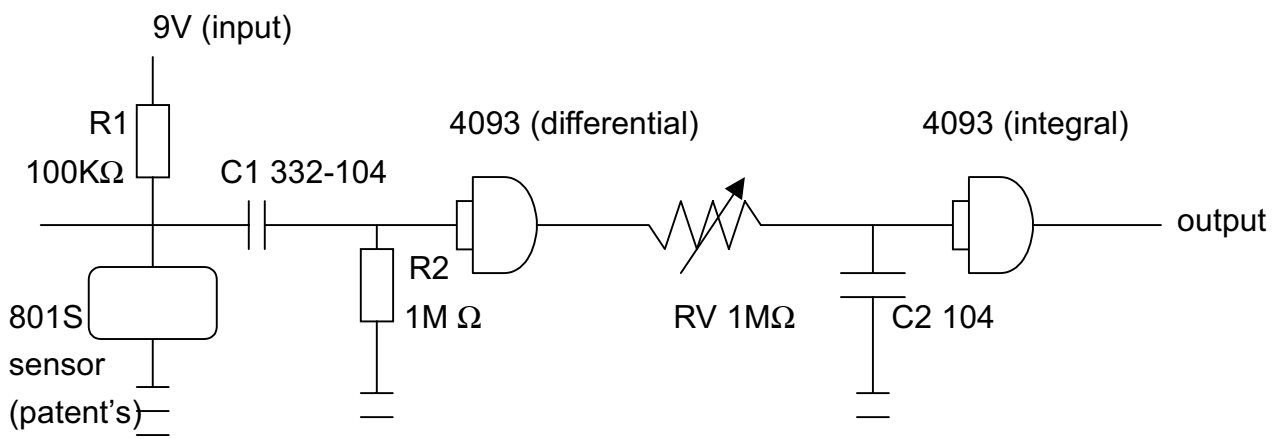
- Features:

- Micro Shock detecting.
- Non direction limited.
- 60,000,000 times shock guarantee (special gold alloy plated)
- Low cost circuit can adjust Sensitivity.

- Dimension:



- Reference circuit:



- Attention:

1. The point of output must become **square wave**. (*Can not use as shock switch!*)
2. Take low or high of output square wave into your alarm system and adjust sensitivity from the delay time length.